



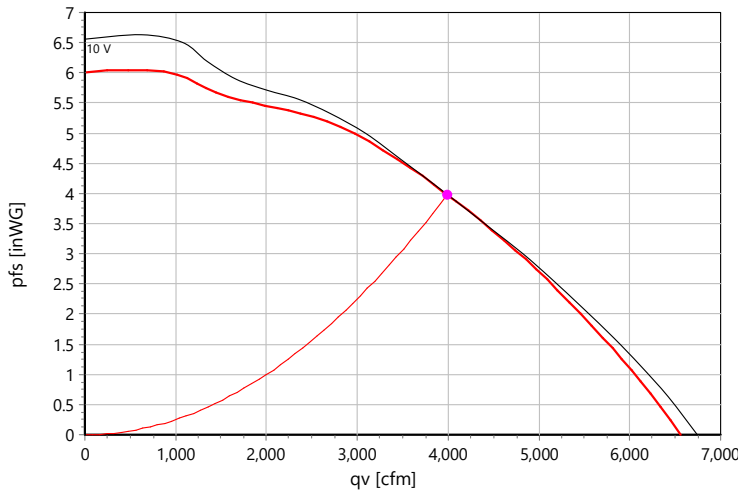
Plug Fan

Type: **GKHM 450-CIB.140.6IF IE Gen3**

Art.-No.: N88-45316



Curve:



p: 1.15 kg/m³; Data @ 230 V

Operating Point:

q _v	3989	cfm
p _{fs}	3.98	inWG
p _{fd}	0.2	inWG
η _{ed,fs}	61	%
η _{ed,tot}	63	%
P _{ed}	3.08	kW
I	8.24	A
n	2079	r/min
L _{WA A,OUT}	91	dB(A)
U _c	9.08	V
v	27.6	ft/s
SFP	1636	Ws/m ³
FEI	1.38	
t _{R,OP}	41	°C

ErP-Data:

(EU) Nr. 327/2011	(Lot11)	
q _v	4208	cfm
p _{fs}	5.55	inWG
η _{ed,fs}	64.7	%
P _{ed}	4.47	kW
n	2365	r/min
N	68	
v	29.1	ft/s

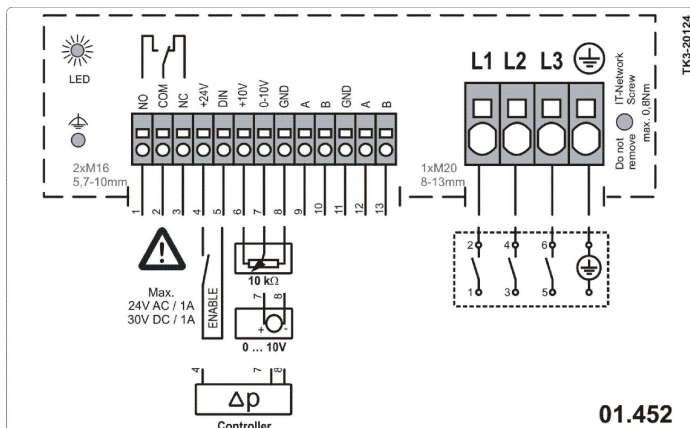
Nominal Data:

U [V]	f [Hz]	Data @ [V]	P _{ed} [kW]	I _N [A]	n _N [r/min]	t _R [°C]	k ₁₀ [m ² /h]	I _A / I _N	IP	m [kg]
3~200-240	50/60	230	3.1	8.1	2080	40	155	-	IP 54	43

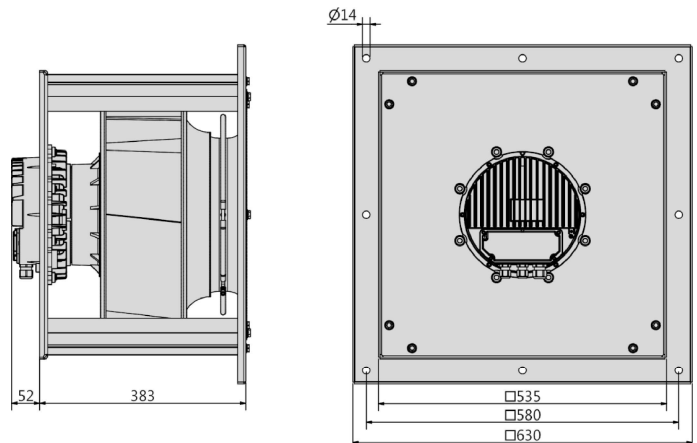
Sound Data:

Frequency	Σ	63Hz	125Hz	250Hz	500Hz	1kHz	2kHz	4kHz	8kHz	Distances	1 m	4 m
L _{wA(A,in)} [dB(A)]	84	51	59	76	77	79	77	74	67	L _{pA(A,in)} [dB(A)]	77	67
L _{wA(A,out)} [dB(A)]	91	56	67	83	85	86	84	79	71	L _{pA(A,out)} [dB(A)]	84	74

Wiring Diagram:



Drawing:



Data @ 208V; 7,0 A; 1930 1/min